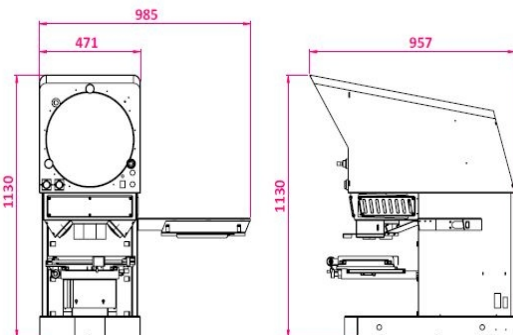
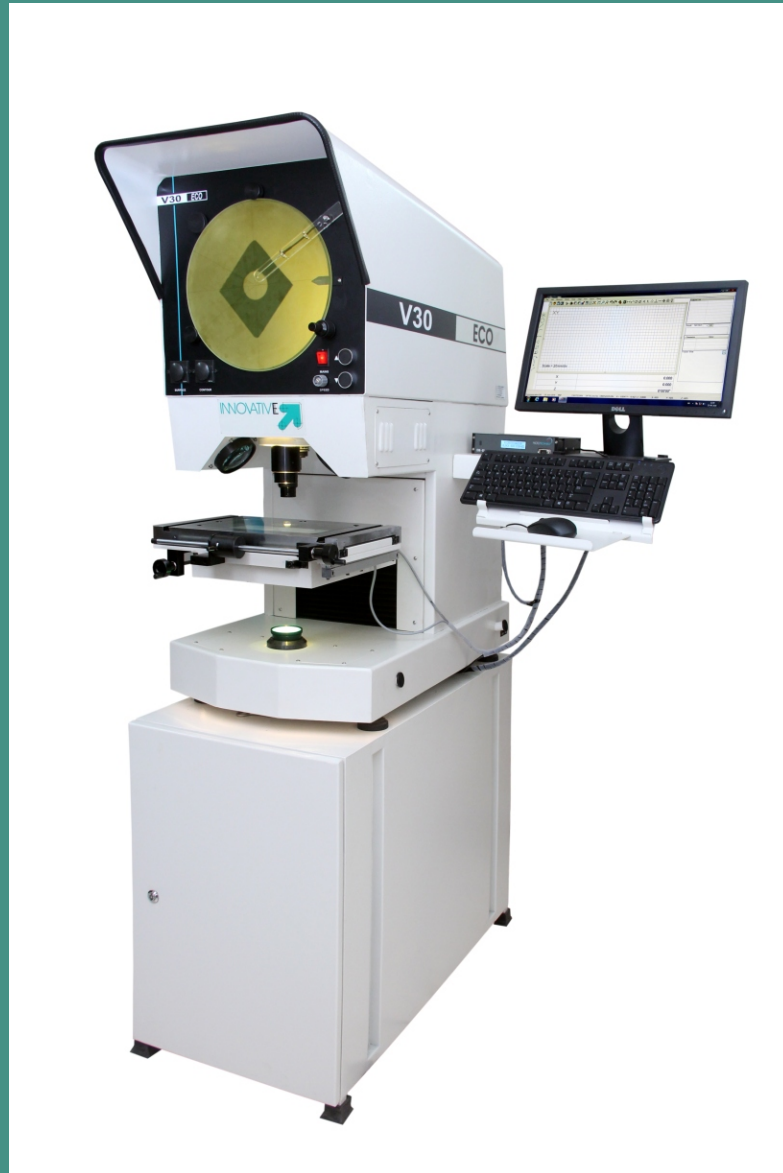


Innovative V300-ECO Profile Projector



◆ **Model – V 30 ECO**

- ◆ **Screen Size : 300mm**
glass lapped screen with fine laser marked cross hair.
- ◆ **Illumination system :**
Contour Single : 24V, 150W
Surface, twin 12V, 100W, duly provided with cooling fans.

- ◆ XY workstage details:

Table Model	Size of table	Traverse X & Y (mm)	
XY -01	170 X 170 mm	X -25 mm	Y- 25mm
XY -02	357 X 157 mm	X -200 mm	Y- 100mm
XY -03	407 X 257 mm	X -250 mm	Y- 150mm
XY -04	457 X 257 mm	X - 300 mm	Y- 150mm
- ◆ Choice of Telecentric Lens :
10X / 20X / 50X / 100X with index able turret to hold 3 lens.
- ◆ Vertical Traverse :
100mm with manual movement, with infinite speed control for smooth noiseless operation.
- ◆ Magnification Accuracy:
 - +/- 0.1% on contour illumination
 - +/- 0.15% on surface illumination
- ◆ Feedback Element : (Optional)
Linear optical encoder scales of 0.001mm resolution, dully laser calibrated.
- ◆ Angular Protractor :
Digital angular protractor 1 arc min is offered as standard.
- ◆ DRO'S & Data Processors :
Range of Digital Readouts, Data Processors & softwares available (Refer our other catalogues)

Note : Due to continues R&D activities at our end, Specifications are subject to change without prior notice.

OPTIONAL ACCESSORIES

Digital Readouts and Data Processors

Simple X, Y, Ø DRO



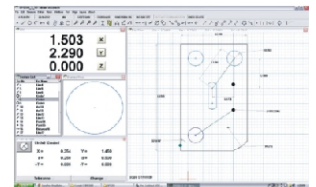
OPP3X Geometric Data Processor



DP 200 Geometric Data Processor



DPS 200 Geometric Data Processor Software



HOLDING FIXTURES

V Block & Center



Rotary Glass Table



Rotary table vice



+91 2162 245 966
246 509
+91 2162 248 012

HO & Factory : B/24, M.I.D.C., Industrial Estate, Satara - 415 004. Maharashtra. INDIA

sales@innovatedro.com www.innovatedro.com

Sales Office : B-5, Golden Orchid, Sector 11, Plot No. 136, New Pradhikaran-Chikhali Road, Bhosari, Pune - 411 019. Maharashtra. INDIA +91 20 6510 2543 / 6510 2593